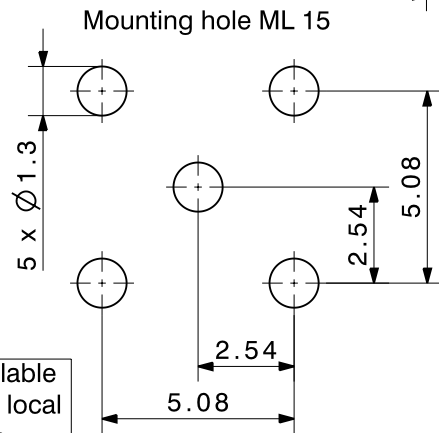
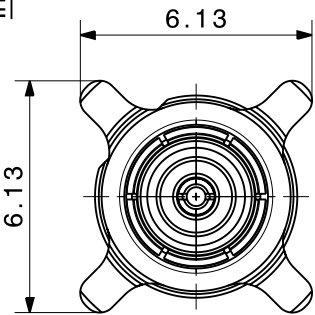
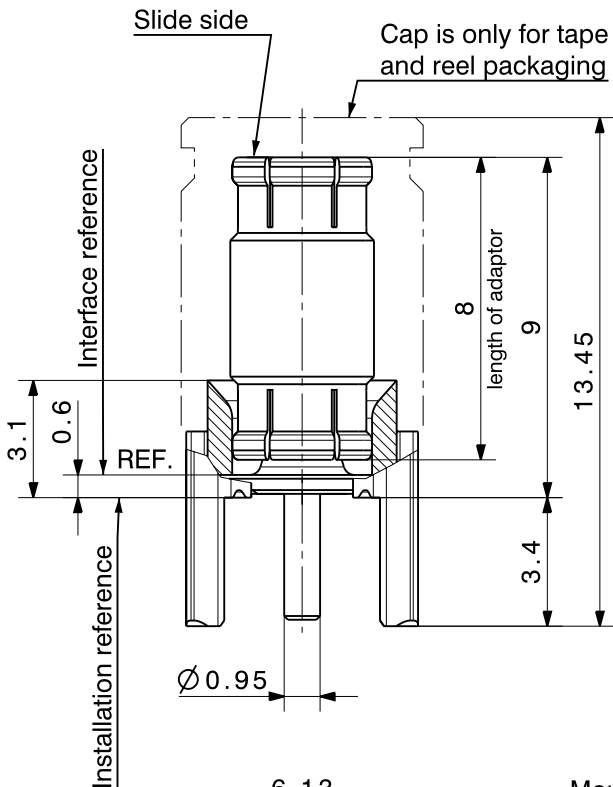


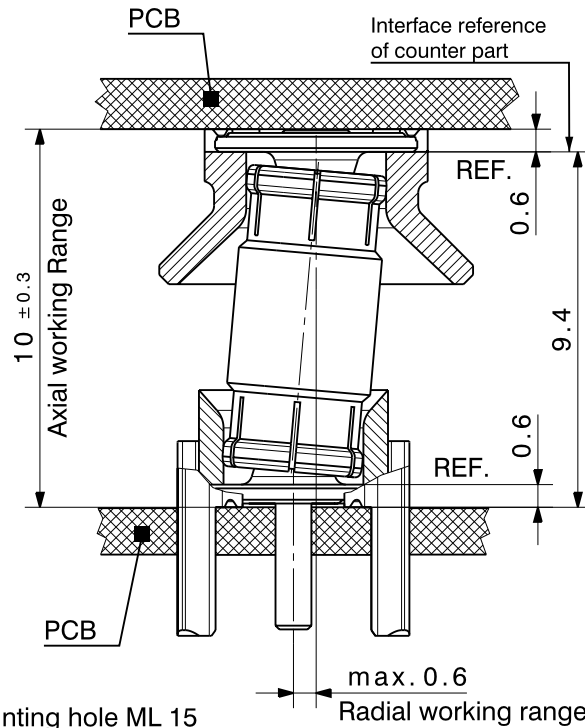
Diese Zeichnung ist unser geistiges Eigentum und darf ohne unsere Ermächtigung weder kopiert, vervielfältigt noch Dritten oder Konkurrenzfirmen zugänglich gemacht werden. (Art. 12 B.G.)
 This drawing is copyright. Information contained thereon is supplied in confidence and must not be used for any other purpose than which it was supplied, or be reproduced without written permission of the owners.

81_MMBX-50-0-11



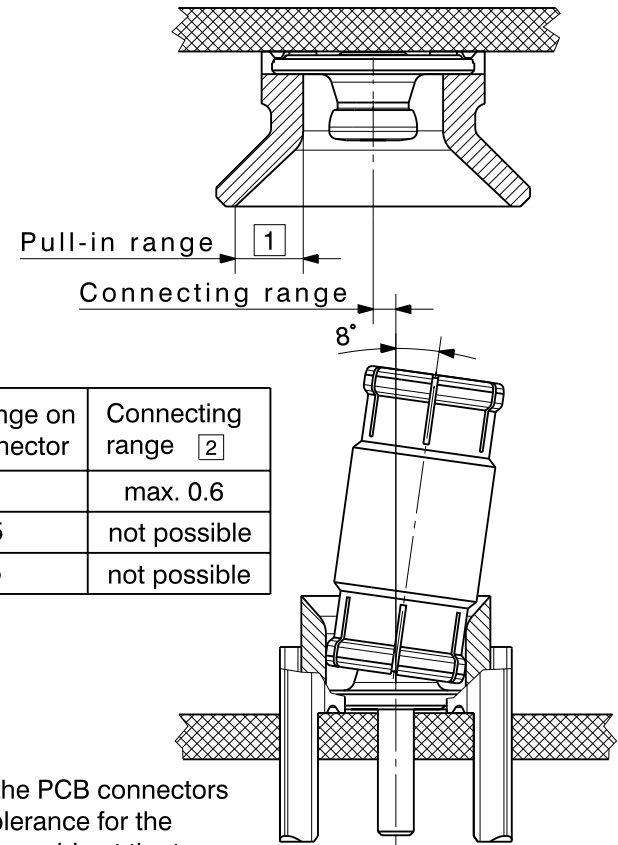
Radial and axial working range

The radial and axial working range is the maximum misalignment that allows a sufficient electrical and mechanical connection.



Connecting range

The connecting range is the maximum misalignment which allows a trouble-free connection with the counter PCB (blind mate). (including maximum swiveling angle of adaptor)



[2] If the misalignment between the PCB connectors is bigger than the specified tolerance for the connecting range, a "blind" assembly of the two PCB's is no longer possible. In this case a manual lead-in is necessary.

[1] The pull-in range is in relation to the geometry of the PCB connector. Diameter of lead-in.

MMBX application instructions are available at www.hubersuhner.com or from your local HUBER+SUHNER sales representative



type / Typ: 81_MMBX-50-0-11		part no. / Teile Nr.: PRO-00013259		B sheet/Blatt XX / XX	
description / Beschreibung		drawing-no. / Zeichnungsnr.		Release	
PCB plug		DOU-00013259		B	
alternative ID: 4.13.34813					