

AHC and AHC 2 | 12 V 7,7 W

with Hall sensor

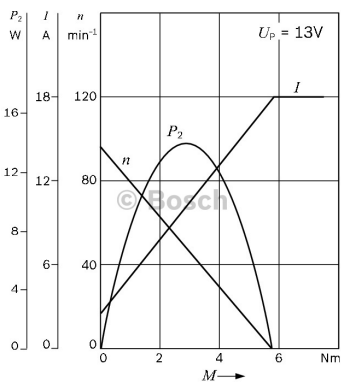


Technical data

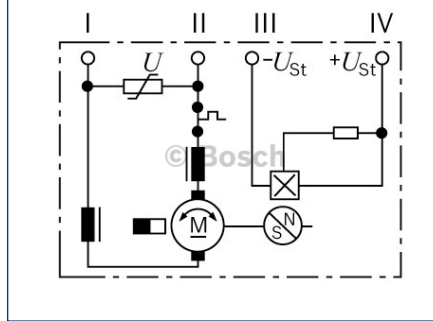
Part number	0 390 203 431
Nominal voltage	U_N 12 V
Nominal power	P_N 7,7 W
Nominal current	I_N \leq 5 A
Maximum current	I_{max} 18 A
Nominal speed	n_N 85 min ⁻¹
Nominal torque	M_N 0,87 Nm
Breakaway torque	M_A \geq 5,8 Nm
Reduction	i 50 : 1
Direction of rotation	L/R
Type of duty	S 2
Degree of protection	IP 50
Weight	approx. 0,36 kg

Clockwise (+) to II, (-) to I
 Anti-clockwise (+) to I, (-) to II
 Connector Housing
 TE AMP 968182-1 / Connector Locker TE
 AMP 0-968183-1 / Connector Terminals TE
 AMP Junior-Power-Timer 0-927768-1 (x2) TE
 AMP Micro-Timer-III 0-968052-1 (x2)

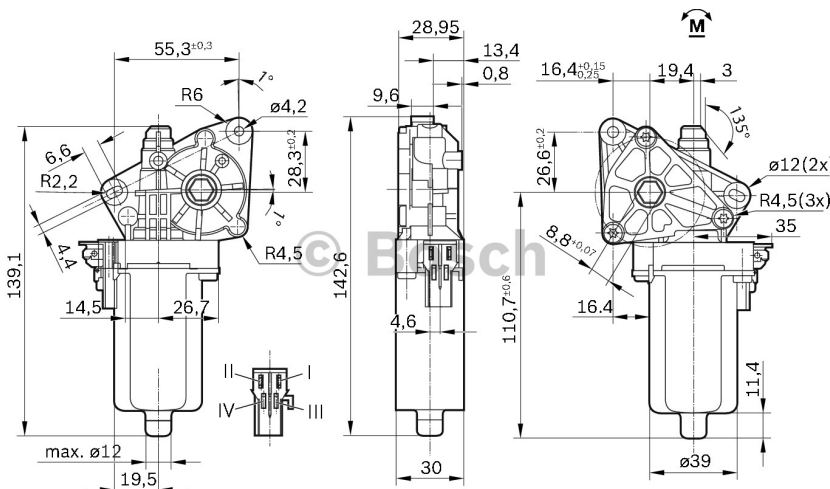
Characteristic curve



Connection diagram



Dimensional drawing



Robert Bosch GmbH
 Automotive Aftermarket
 Postfach 410960
 76225 Karlsruhe
 Germany

Circuit diagram

