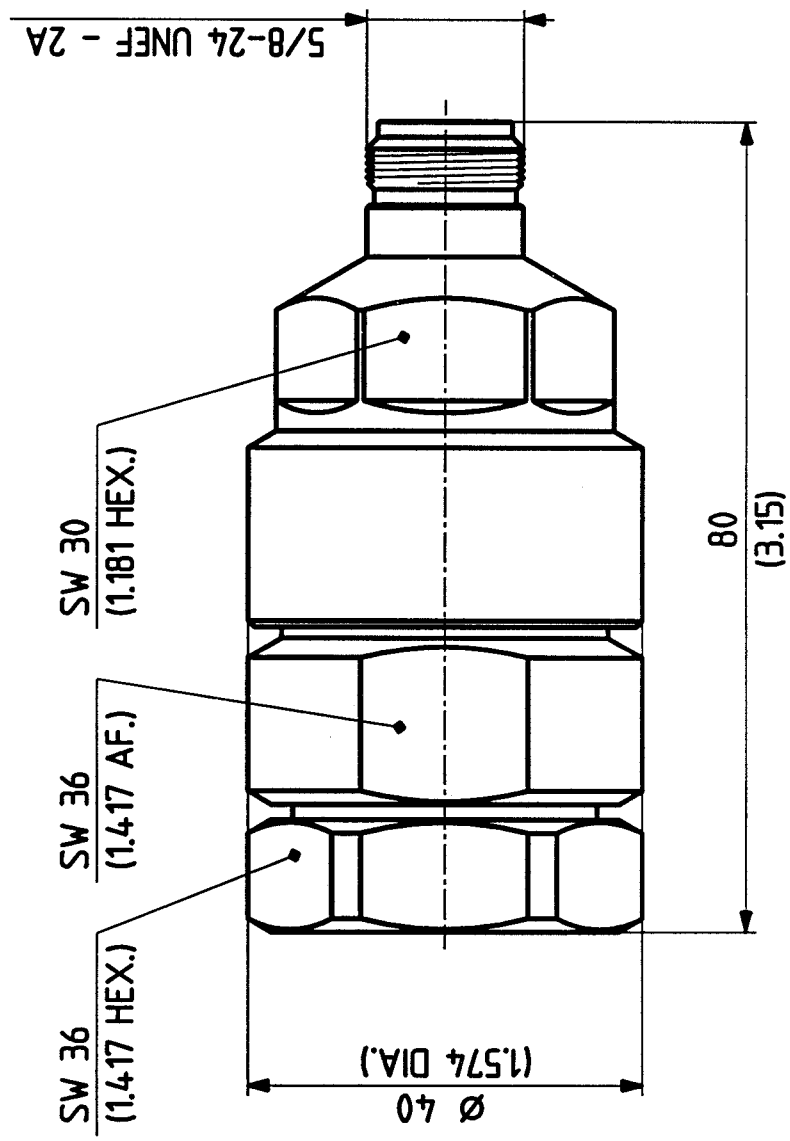


type : 21 N-50-23-10

drawn	11.06.99	date	11.06.99	sign	4.359/FJO
checked	14.6.99	checked	14.6.99	checked	14.6.99
approved	14.6.99	approved	14.6.99	approved	14.6.99



This drawing is copyright. Information contained thereon is supplied in confidence and must not be used for any other purpose than which it was supplied, or be reproduced without written permission of the owners.

Diese Zeichnung ist unser geistiges Eigentum und darf ohne unsere ausdrückliche Einwilligung weder kopiert, vervielfältigt, noch Dritten Personen oder Konkurrenz-firmen zugänglich gemacht werden.

scale	2 : 1	dimensions in mm	HUBER + SUHNER RFX	OZ drawing : 02.99.3.13.524.4	drawing number	3.13.31618_1	index	C
-------	-------	------------------	--------------------	-------------------------------	----------------	--------------	-------	---