

EFP

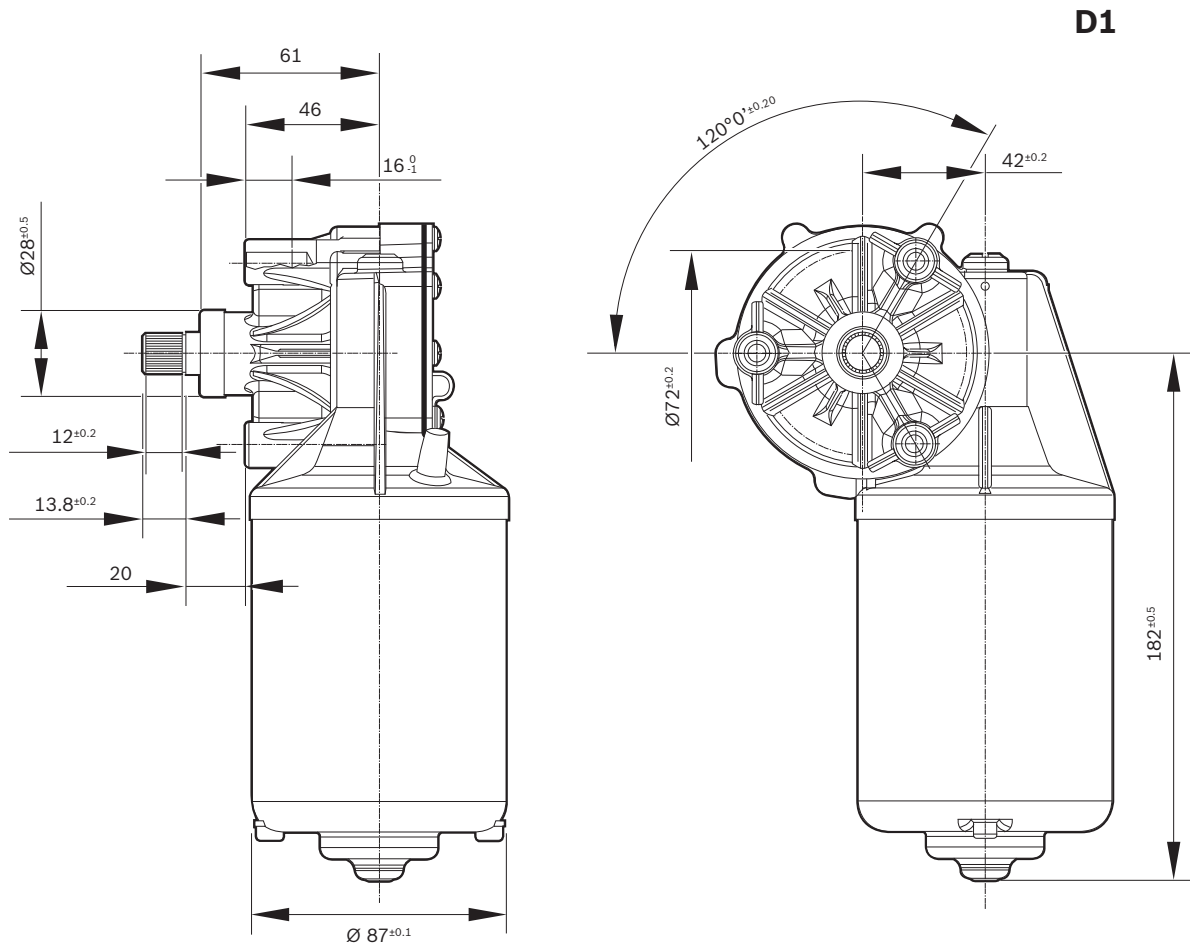


**Family features:**

- ▶ Also with wiper function available
- ▶ Degree of protection: IP 23
- ▶ Operating mode: S1

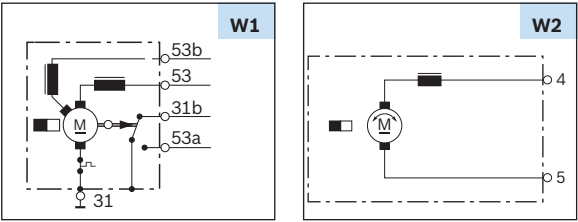
Voltage	Part number	P <sub>n</sub> (Nominal power)	I <sub>n</sub> (Nominal current)	n <sub>n</sub> (Nominal speed)	M <sub>n</sub> (Nominal torque)	M <sub>a</sub> (Stall torque)	Gear ratio	Direction of rotation	Signal	Side**	Dimensional drawing (D)	Wiring diagram (W)	Drive end (S)	Connector (C)	Performance curve (P)
		W	A	rpm	Nm	Nm									
12 V	0 986 337 400*	8.4 ; 12.5	4.5 ; 6	32 ; 48	2.5	45 ; 40	80:2	CCW	No	L	D1	W1	S1	C1	P4
	0 986 337 411	20.4	5	39	5	70	65:1	CCW/CW	No	L	D1	W2	S1	C2	P6
24 V	0 986 337 401*	9.7 ; 16.3	1.75 ; 2	31 ; 52	3	60 ; 50	80:2	CCW	No	L	D1	W1	S1	C1	P1
	0 986 337 402*	11.3 ; 18.4	2.25 ; 2.75	27 ; 44	4	70 ; 60	65:1	CCW	No	L	D1	W1	S1	C1	P3
	0 986 337 409	65.9	6	63	10	60	80:2	CCW/CW	No	L	D1	W2	S2	C2	P2
	0 986 337 410	73.3	7	70	10	60	80:2	CCW/CW	No	L	D1	W2	S2	C2	P5

\* Motors with two speeds / \*\*gear housing left: L, gear housing right: R

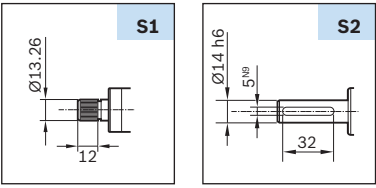


# EFP

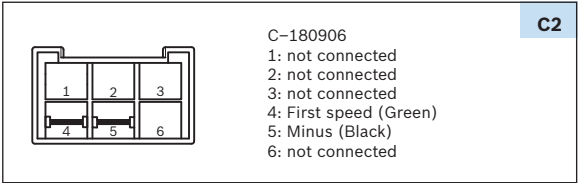
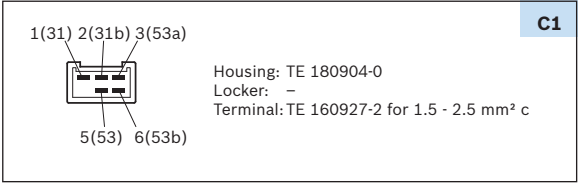
## Wiring diagram (W)



## Drive end (S)



## Mating connector (C)



## Performance curve (P)

