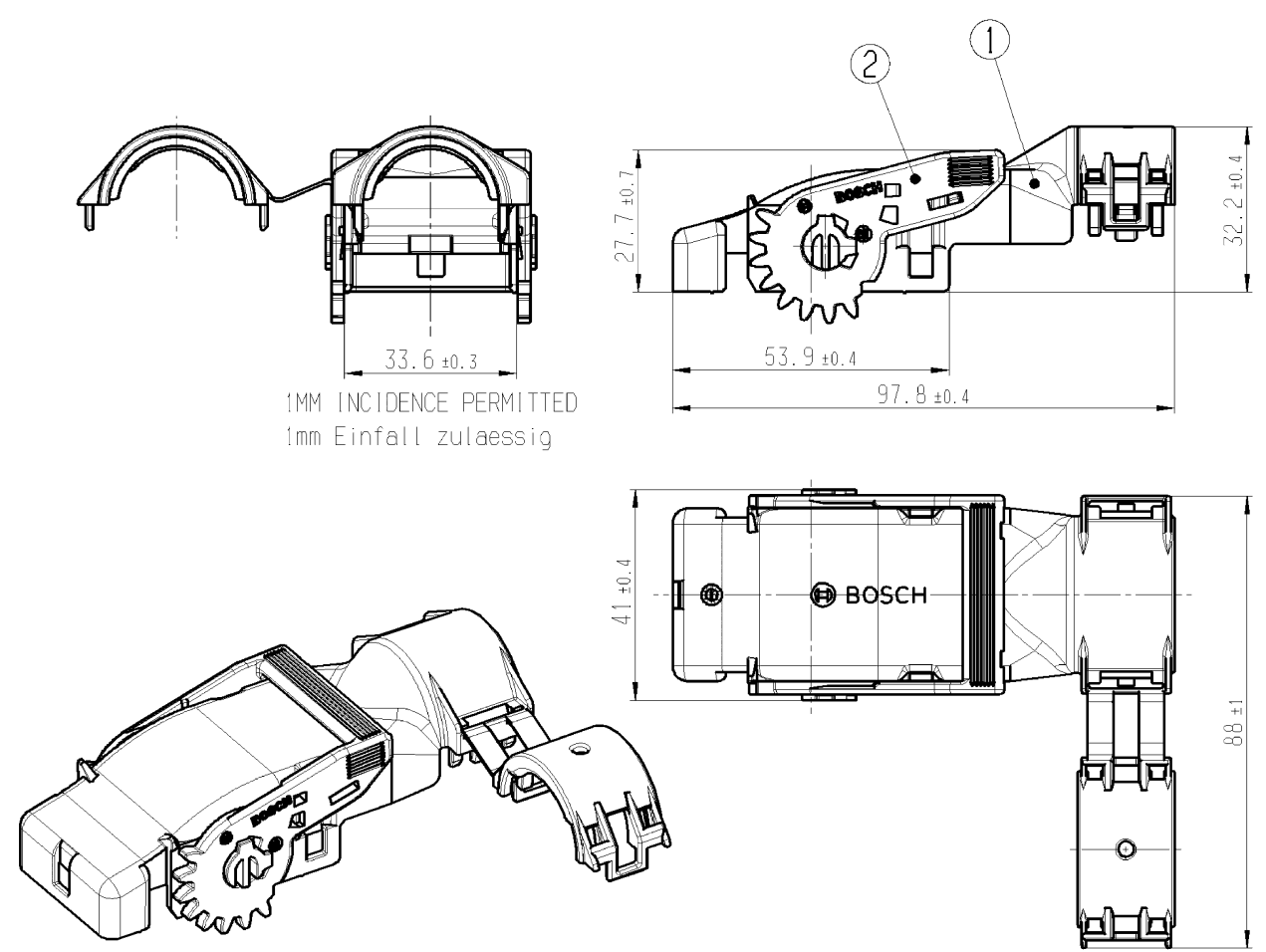
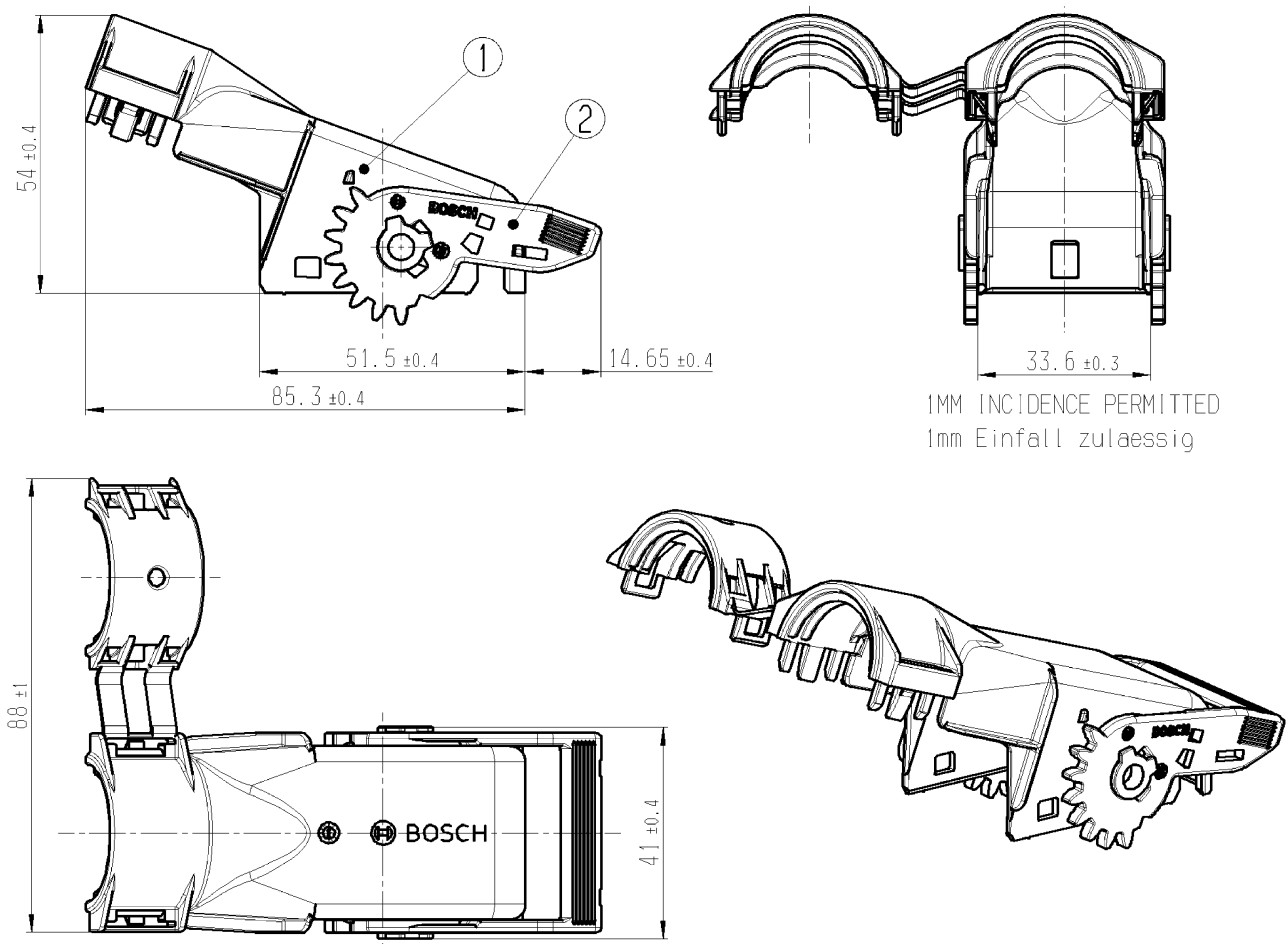


ISO sys. of limits & fits/ISO-Sys. Grenz- u. Pass.					
ISO 286-2:1988-06					
Size/Meße	Tol. class	Limit dev./Grenzabw.			
over/über	to/bis	T. kl.	lower/unter	upper/oberes	
General tolerances for/Allgemeintoleranzen für					
lin. dim./L. messe	radii/Radien	angles/Winkel			
±mm	±0.5mm	±2°			

PRESENTED: COVER UNIT 58-WAY, CABLE EXIT ON THE LEFT,  
LEVER CLOSED ( DELIVERY CONDITION)  
Dargestellt: Deckeleinheit 58-polig, Kabelabgang links,  
Verriegelungshebel geschlossen (Auslieferungszustand)

PRESENTED: COVER UNIT 58-WAY, CABLE EXIT ON THE RIGHT,  
LEVER CLOSED ( DELIVERY CONDITION)  
Dargestellt: Deckeleinheit 58-polig, Kabelabgang rechts,  
Verriegelungshebel geschlossen (Auslieferungszustand)



2	LEVER Hebel		PA 66 - GF 30	BLACK schwarz	
1	COVER Deckel		PA 66	BLACK schwarz	
	COVER UNIT Deckeleinheit	1 928 405 319	----	----	
ITEM Pos.	DESIGNATION Benennung	ORDER-NO. Bestell-Nr.	MATERIAL Stoff	COLOR Farbe	REMARKS Bemerkungen

2	LEVER Hebel		PA 66 - GF 30	BLACK schwarz	
1	COVER Deckel		PA 66	BLACK schwarz	
	COVER UNIT Deckeleinheit	1 928 405 320	----	----	
ITEM Pos.	DESIGNATION Benennung	ORDER-NO. Bestell-Nr.	MATERIAL Stoff	COLOR Farbe	REMARKS Bemerkungen

PARTS MAY DIFFER IN NON-FUNCTIONAL DETAILS  
FROM THE REPRESENTATION IN THIS DRAWING.  
Teile koennen in nicht funktionsrelevanten  
Details von der Darstellung in der Zeichnung abweichen.

02 REL./Freig.	20090218	dej2si	hcb2si	213	GS-CP/ENG2
Ind. Change/Änderung	YYYYMMDD	Drawn/Gez.	Checked/Gepr.	Releas./Freig.	EWVN
Lang./Spr.	Syst.	Wght./Gew.	Add. info./Zus. Info.		
en/de	CAT	--			
Scale/N. stab	1:1		COVER UNIT 58-WAY Deckeleinheit 58-polig		
MNR	--		OFFER DRAWING ANGEBOTSZEICHN.		DP/TO
			Repl. for		Ind. Formet
			Repl. by		02 A2

© Robert Bosch GmbH. All rights reserved. Also regarding any disclosure, exploitation, reproduction, editing, distribution as well as in the event of applications for industrial property rights.